

335

INSTRUCTION MANUAL

This instruction manual applies to machines
from the following serial numbers onwards:
7 262 530 and software version **0435/002**.



This instruction manual applies for all of the designs and subclasses listed in **Chapter 3 Technical Data**.



The settings manual for the machine can be downloaded at no charge under www.pfaff-industrial.de/de/service-support/downloads/technical. As an alternative to the Internet download, the settings manual can also be ordered under order no. **296-12-19 307/002**.

Reprinting, reproduction and/or translation of PFAFF instruction manuals (including parts thereof) is only permitted with our prior agreement and citation of the source.

**PFAFF Industriesysteme
und Maschinen GmbH**

Hans-Geiger-Str. 12 - IG Nord
D-67661 Kaiserslautern

	Contents	Page
1	Safety	5
1.01	Directives	5
1.02	General safety instructions	5
1.03	Safety symbols	6
1.04	Special points of attention for the owner-operator	6
1.05	Operating personnel and technical staff	7
1.05.01	Operating personnel	7
1.05.02	Technical staff.....	7
1.06	Danger warnings.....	8
2	Proper Use.....	9
3	Technical Data▲.....	10
3.01	PFAFF 335	10
4	Disposal of the Machine.....	11
5	Transport, Packaging and Storage.....	12
5.01	Transport to the customer's premises	12
5.02	Transport within the customer's premises.....	12
5.03	Disposal of the packaging materials	12
5.04	Storage	12
6	Work Symbols.....	13
7	Operating Controls	14
7.01	Main switch	14
7.02	Buttons on the machine head (only in machines with backtacking system -911/..)	14
7.03	Treadle	15
7.04	Hand lever to raise the sewing feet.....	16
7.05	Lever for stitch length regulation and reverse sewing	16
7.06	Lever for stitch length regulation (in machines with backtacking system -911/..).....	17
7.07	Top feed lift setting.....	17
7.08	Control panel.....	18
8	Set-up and Initial Commissioning	19
8.01	Set-up	19
8.01.01	Setting the table height	19
8.01.02	Assembling the motor	20

Table of Contents

	Contents	Page
8.01.03	Tensioning the V-belt	20
8.01.04	Mounting the lower V-belt pulley	21
8.01.05	Assembling the upper V-belt guard	21
8.01.06	Mounting the synchroniser	22
8.02	Connecting the plug-in connections and ground cable	23
8.03	Assembling the reel stand	24
8.04	Initial start-up	25
8.05	Switching the machine on / off	25
8.06	Machine drive home position	25
9	Set-up	26
9.01	Inserting the needle	26
9.02	Winding the bobbin thread, adjusting the thread tension	27
9.03	Removing / inserting the bobbin case	28
9.04	Inserting the bobbin case / adjusting the bobbin thread tension	28
9.05	Threading the needle thread / adjusting the needle thread tension	29
9.06	Setting the bobbin stitch counter	29
10	Maintenance and Care	30
10.01	Maintenance intervals.....	30
10.02	Cleaning the machine	30
10.03	General oiling	31
10.04	Oiling the hook.....	32
10.05	Oiling the front parts.....	32
10.06	Lubricating the bevel gears.....	33
10.07	Lubricating the top feed driving eccentric	34
10.08	Checking / setting the air pressure	34
10.09	Cleaning the maintenance unit air filter	35
10.10	Parameter settings	35
11	Table Top	36
11.01	Table top cutout.....	36
11.02	Table top assembly.....	37
12	Wearing Parts	38

1 Safety

1.01 Directives

The machine was built in compliance with the European regulations specified in the declaration of conformity and declaration of incorporation.

As a supplement to this instruction manual, please also observe the generally applicable, legal and other regulations and legislation – also in the country of use – and the valid environmental protection regulations! Always comply with the locally applicable regulations of the professional associations and other supervisory authorities!

1.02 General safety instructions

- The machine may only be operated after you have become acquainted with the associated instruction manual and only by operating personnel who have received appropriate training!
- Always read the safety instructions and the instruction manual of the motor manufacturer before starting up the machine!
- Always follow the hazard and safety instructions attached to the machine!
- The machine may only be operated for its intended purpose and only with the associated safety covers, while adhering to all the relevant safety requirements.
- The machine must always be disconnected from the power supply by pressing the main switch or pulling out the mains plug when sewing tools are replaced (such as the needle, sewing foot, needle plate and bobbin) and when threading, leaving the workstation, or performing maintenance!
- The daily maintenance work may only be carried out by suitably qualified personnel!
- Repairs and special maintenance work may only be carried out by technical staff or people with appropriate training!
- Work on electrical equipment may only be carried out by qualified technical staff!
- Work on parts and equipment under voltage is not permitted!
- Exceptions are regulated by the EN 50110 standards.
- Modifications and changes to the machine may only be made in compliance with all of the relevant safety requirements!
- Only those replacement parts approved by us for usage may be used for repairs! We warn you expressly that spare parts and accessories that are not supplied by us are also not tested and approved by us.
Fitting or using these products may therefore have negative effects on features which depend on the machine design. We are not liable for any damage caused by the use of non-Pfaff parts.

1.03

Safety symbols



Hazard point!
Special points of attention.



Risk of injury to operating personnel or technical staff!



Electric voltage!
Danger to operating personnel or technical staff



Danger of hands being crushed!
Danger to operating personnel or technical staff



Caution!

Do not operate without finger guard and safety covers!
Turn off the main switch before threading, changing the bobbin or needle, cleaning, etc.!

1.04

Special points of attention for the owner-operator

- This instruction manual is a part of the machine and must be made available to the operating personnel at all times. The instruction manual must have been read before the initial start-up.
- The operating personnel and technical staff must be instructed about the machine's safety covers and about safe working methods.
- The owner-operator may only operate the machine in a flawless condition.
- The owner-operator must ensure that no safety covers are removed or disabled.
- The owner-operator must ensure that only authorised persons work on the machine.

Additional information can be requested from the responsible sales centre.

1.05 Operating personnel and technical staff

1.05.01 Operating personnel

Operating personnel are persons responsible for equipping, operating and cleaning the machine and for fault clearance in the sewing area.

The operating personnel are obligated to comply with the following points:

- The safety instructions provided in the instruction manual must be followed for all work!
- Any work method jeopardising machine safety must be refrained from!
- Tight-fitting clothing must be worn. The wearing of jewellery such as chains and rings is prohibited!
- Care must be taken to ensure that no unauthorised persons are located in the machine's hazard zone!
- Any changes occurring on the machine which impair its safety must be reported to the owner-operator immediately!

1.05.02 Technical staff

Technical staff are persons with technical training in electricity/electronics and mechanics. They are responsible for lubricating, servicing, repairing and adjusting the machine.

The technical staff are obligated to comply with the following points:

- The safety instructions provided in the instruction manual must be followed for all work!
- Turn off the main switch and secure it against reactivation before starting any adjustment and repair work!
- Never work on live parts and equipment!
Exceptions are regulated by the EN 50110 standards.
- Reattach the safety covers following repair and maintenance work!

1.06

Danger warnings



A work area of 1 m must be kept free in front of and behind the machine to ensure unobstructed access at all times.



Do not reach into the needle range during the sewing operation!
Risk of injury from the needle!



Do not allow any objects to be placed on the table during the adjustment work!
The objects could become jammed or be slung away!
Risk of injury from parts flying around!

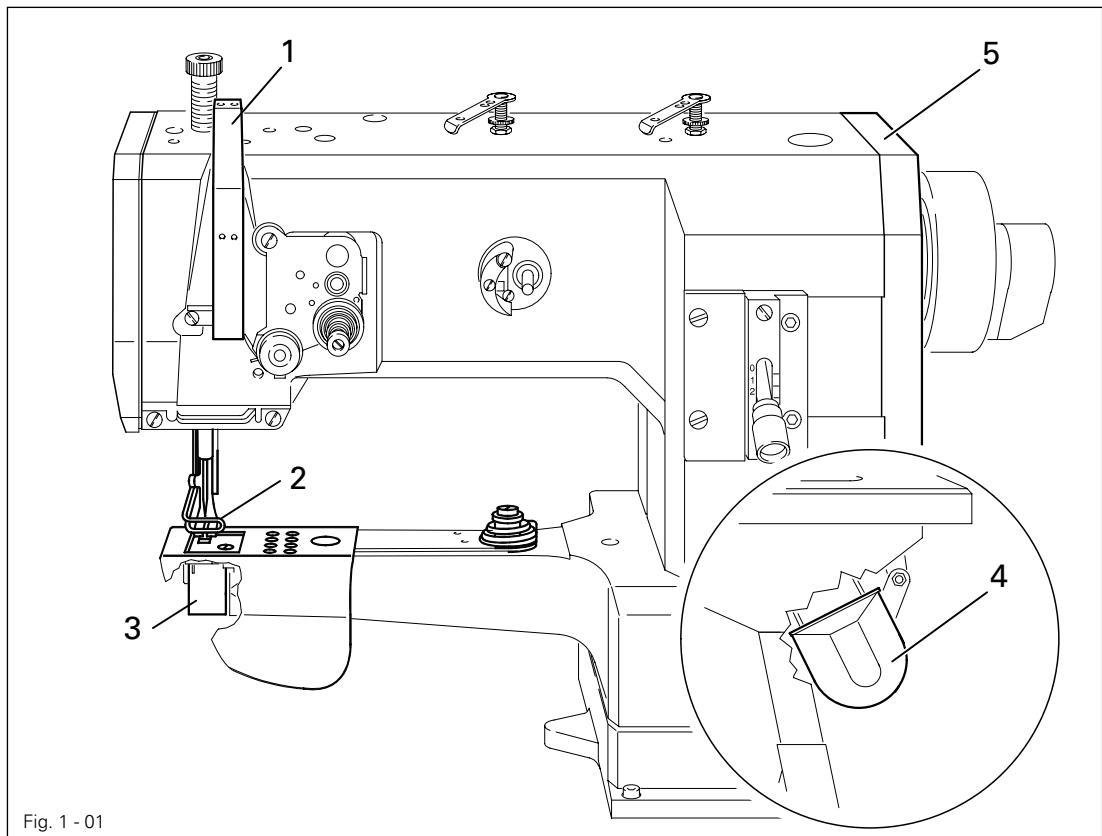


Fig. 1 - 01



Do not operate the machine without the take-up lever guard **1!**
Risk of injury due to the motion of the take-up lever!



Do not operate the machine without the finger guard **2!**
Risk of injury from the needle!



Do not operate the machine without the free arm cover **3!** Risk of injury from the rotating hook!



Do not operate the machine without the belt guard **4** and **5!**
Risk of injury due to the rotating driving belt!

2 **Proper Use**

The PFAFF 335 is a single needle lockstitch free arm sewing machine with bottom feed, top feed and needle feed for sewing lockstitch seams.



Any usage not approved by the manufacturer is deemed misuse! The manufacturer shall assume no liability for damage caused by misuse! Proper use also includes compliance with the operating, maintenance, adjustment and repair measures specified by the manufacturer!

3 Technical Data▲

3.01 PFAFF 335

Stitch type:.....301 (lock stitch)
Needle system : 134-35
Design BN:..... for the machining of medium-weight materials

Needle size in 1/100 mm:
Model BN:..... 90 - 110

Stitch length max.....6.0 mm

Speed max.:.....2800 stitches/min ●

Passage under the presser foot:..... max. 7 mm
Passage width:265 mm
Clearance height: 115 mm

Sewing head dimensions

Cylinder bed head Ø:51 mm
Cylinder bed circumference: approx. 165 mm
Length:..... approx. 770 mm
Width: approx. 380 mm
Height (above table):..... approx. 630 mm

Motor data: see motor specification plate

Working air pressure..... 6 bar
Air consumption..... ~0.8 l / working cycle

Noise data:

Noise emission level at workplace with a sewing speed of 1800 min⁻¹: LpA = 81 dB(A) ■
(Noise measurement in accordance with DIN 45 635-48-A-1, ISO 11204, ISO 3744, ISO 4871)

Net weight of sewing head: 38 kg

Gross weight of sewing head:..... 47 kg

▲ Subject to alterations

● Depending on the material, workstep and stitch length

■ $K_{pA} = 2.5 \text{ dB}$

4

Disposal of the Machine

- It is up to the customer to dispose of the machine properly.
- The materials used for the machine include steel, aluminium, brass and various plastics. The electrical equipment consists of plastics and copper.
- The machine must be disposed of in accordance with the locally valid environmental protection regulations, with a specialised company being contracted if necessary.



Please ensure that parts coated with lubricants are disposed of separately in accordance with the locally valid environmental protection regulations!

5 Transport, Packaging and Storage

5.01 Transport to the customer's premises

All machines are completely packed for delivery.

5.02 Transport within the customer's premises

The manufacturer assumes no liability for transport within the customer's premises or to the individual usage sites. Please ensure that the machines are only transported in a vertical position.

5.03 Disposal of the packaging materials

The packaging materials of these machines consists of paper, cardboard and VCI fleece. It is up to the customer to dispose of the packaging properly.

5.04 Storage

The machine can be stored for up to **6** months when not in use. It must then be protected from dirt and moisture. For longer storage periods, the machine's single components, especially its sliding surfaces, must be protected against corrosion, e.g. by an oil film.

6 Work Symbols

Activities to be performed or important information in this instruction manual are emphasised by symbols. The symbols used have the following meaning:



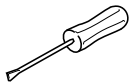
Note, information



Cleaning, care



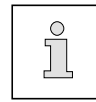
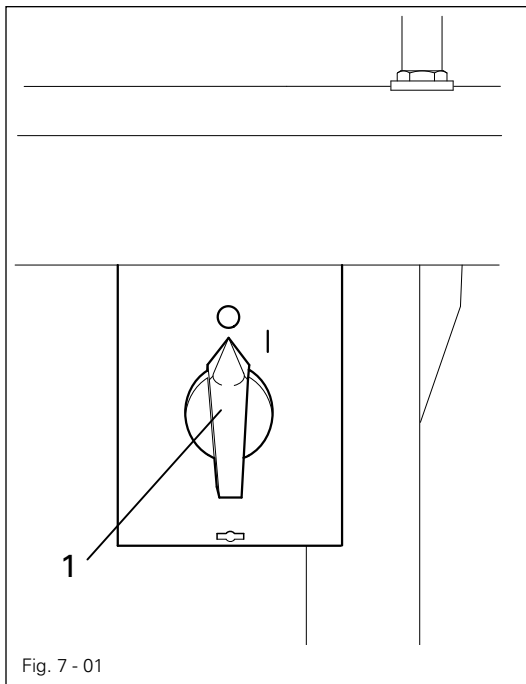
Lubrication



Maintenance, repairs, adjustment, service work
(only to be carried out by technical staff)

7 Operating Controls

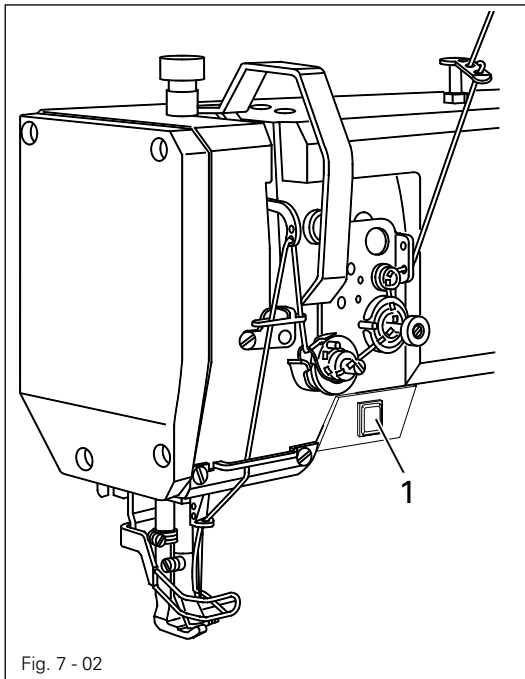
7.01 Main switch



Before switching on the machine, raise the take-up lever as far as possible.

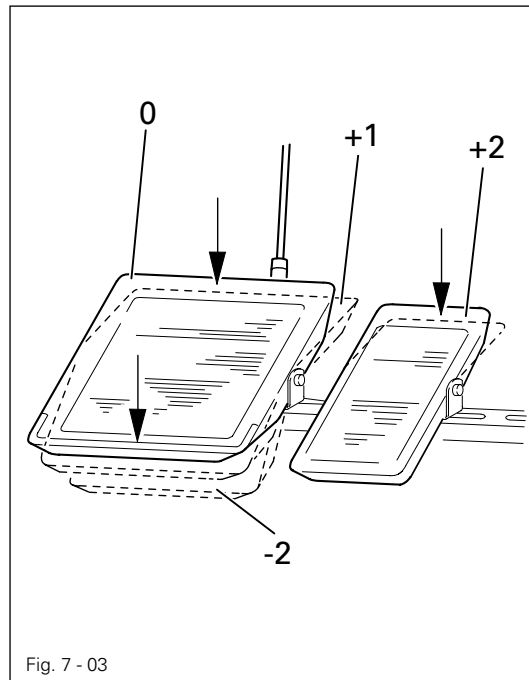
- Turning the main switch 1 switches the machine on and off.

7.02 Buttons on the machine head (only in machines with backtacking system -911/..)



- The machine sews backwards as long as the button 1 is pressed during the sewing operation.

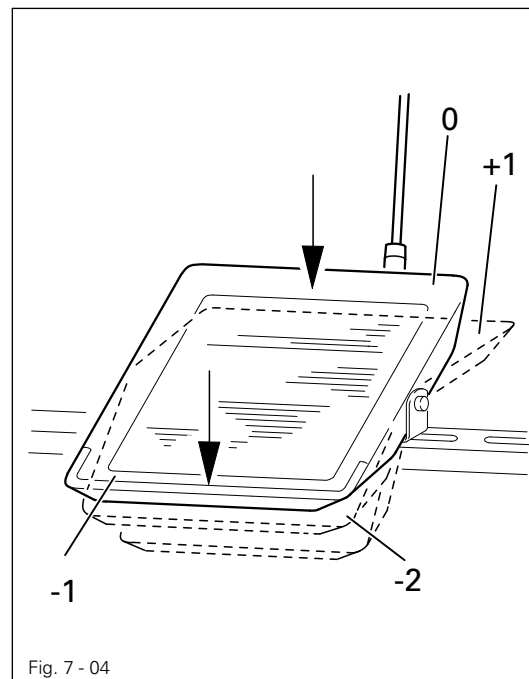
7.03 Treadle



● With the main switch turned on

In machines without backtacking system -911/..

- 0 = Neutral position
- +1 = Sewing
- 2 = Trim thread/
(in machines with thread trimmer -900/52)
- +2 = Raise sewing foot

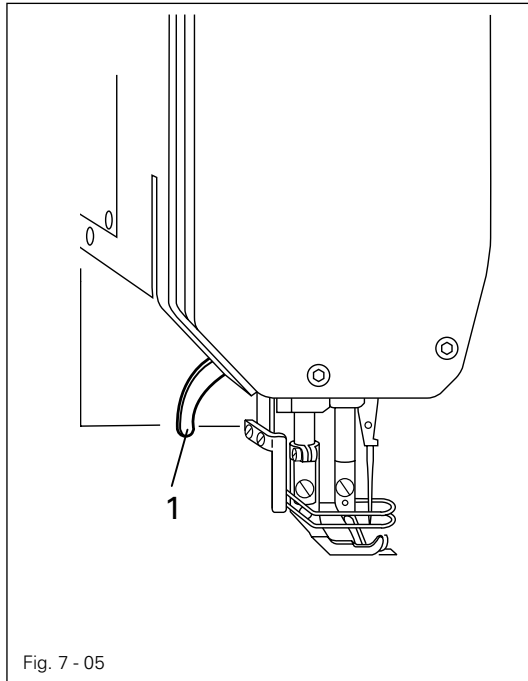


● With the main switch turned on

In machines with backtacking system -911/..

- 0 = Neutral position
- +1 = Sewing
- 1 = Raise sewing foot
- 2 = Trim thread/
(in machines with thread trimmer -900/52)

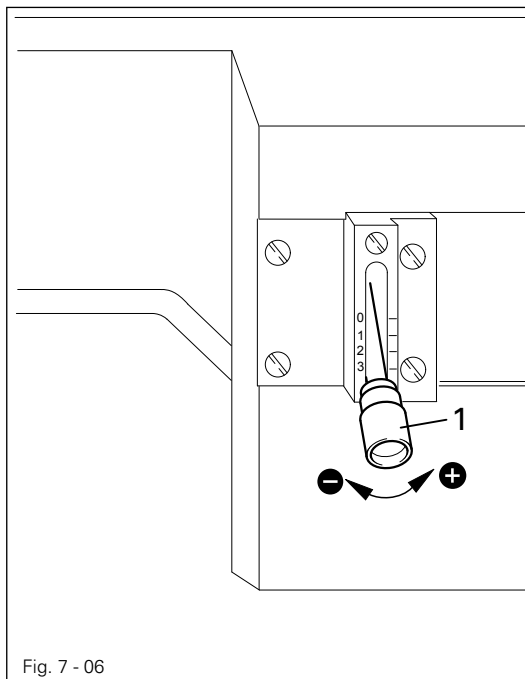
7.04 Hand lever to raise the sewing feet



- Bringing the hand lever 1 to the top position raises the sewing feet.

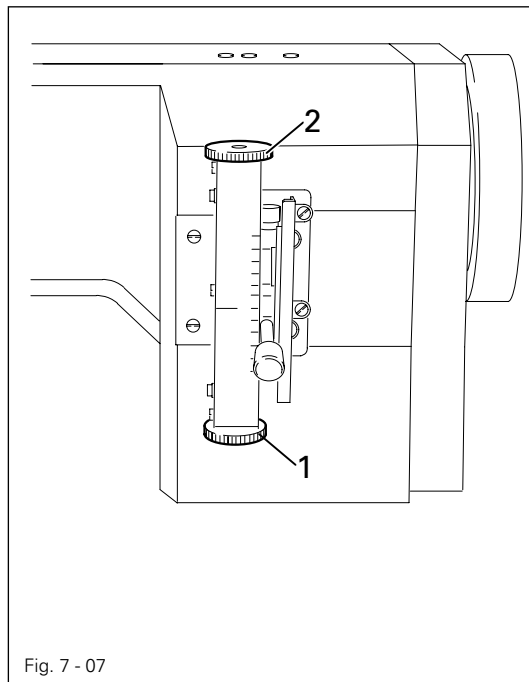
7.05 Lever for stitch length regulation and reverse sewing

(In machines without backtacking system -911/..)



- Turning the knurled thumb screw on lever 1 sets the stitch length.
- You can sew in reverse by pressing the lever 1 upwards until you feel it stop.

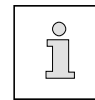
7.06 Lever for stitch length regulation (in machines with backtacking system -911/..)



- Turning the knurled thumb screw 1 sets the stitch length for the forward switch
- Turning the knurled thumb screw 2 sets the stitch length for the reverse stitch.

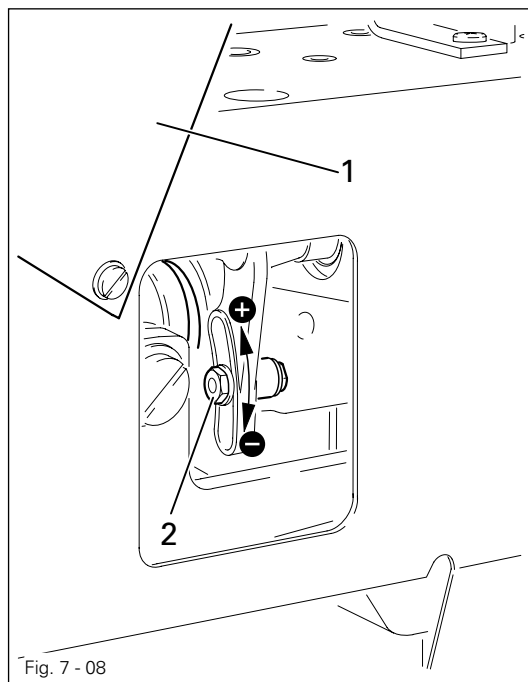


The reverse stitch can be set to any length irrespective of the forward stitch.



Please refer to the separate instruction manual for the drive for the setting options for the automatic front and end backtack.

7.07 Top feed lift setting



Switch off the machine!
Risk of injury due to accidental machine start-up!

- Open the cover 1 on the back of the machine, loosen the nut 2 and move accordingly.

7.08 **Control panel** (only in machines with P40 CD)

The description can be found in the instruction manual for the drive.

8 Set-up and Initial Commissioning



The machine may only be set up and started up by qualified personnel! All of the relevant safety regulations must always be complied with in this process! If the machine was delivered without a table, then the stand and the table top provided must safely support the weight of the machine and its motor. Adequate stability of the stand must be guaranteed, even during the sewing operations.

8.01 Set-up

Suitable electrical supply connections must be provided at the erection site, see **Chapter 3 Technical data**. The erection site must also have a firm and level subsurface and adequate lighting.



The table top is lowered for packaging purposes. The adjustment of the table height is described below.

8.01.01 Setting the table height

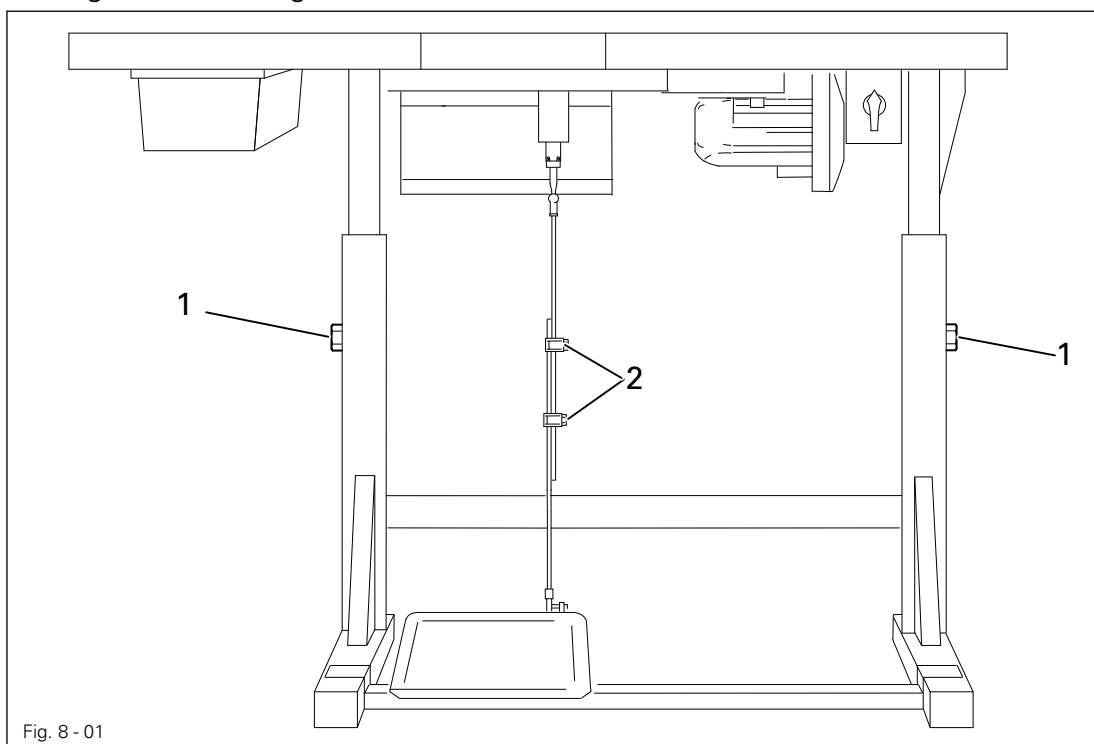


Fig. 8 - 01

- Loosen the screws 1 and 2.
- Move the table top to the desired working height by pulling it out and pushing it in and align the table top horizontally.



Adjust the stand on both sides evenly to prevent it tilting.

- The stand must have all four feet firmly on the ground to make sure it is positioned securely.
- Firmly tighten the screws 1.
- Adjust and tighten the desired treadle position on the screws 2.

Set-up and Initial Commissioning

8.01.02 Assembling the motor

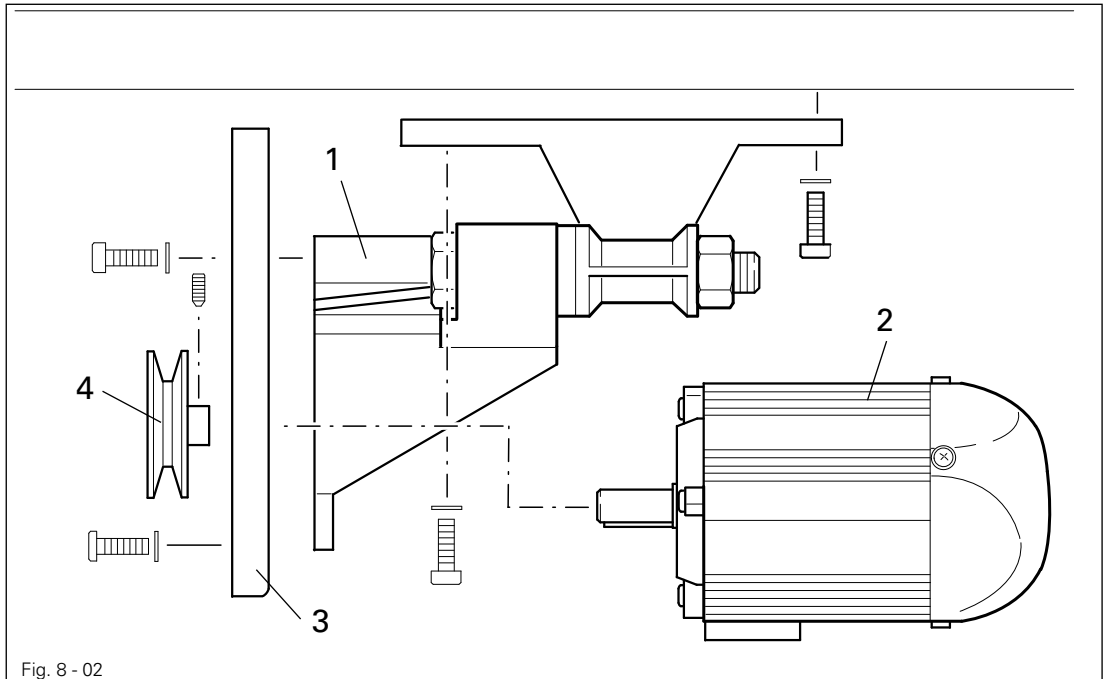


Fig. 8 - 02

- Assemble the motor bracket 1, motor 2, belt guard bracket 3 and belt pulley 4 as shown in Fig. 8-02.

8.01.03 Tensioning the V-belt

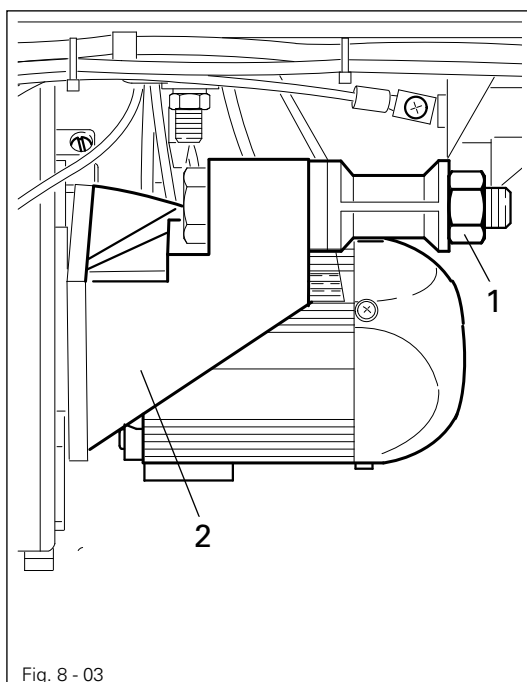


Fig. 8 - 03

- Fit the V-belt
- Loosen the nut 1 and tension the V-belt by turning the motor bracket 2 out of position.
- Tighten the nut 1.

8.01.04 Mounting the lower V-belt pulley

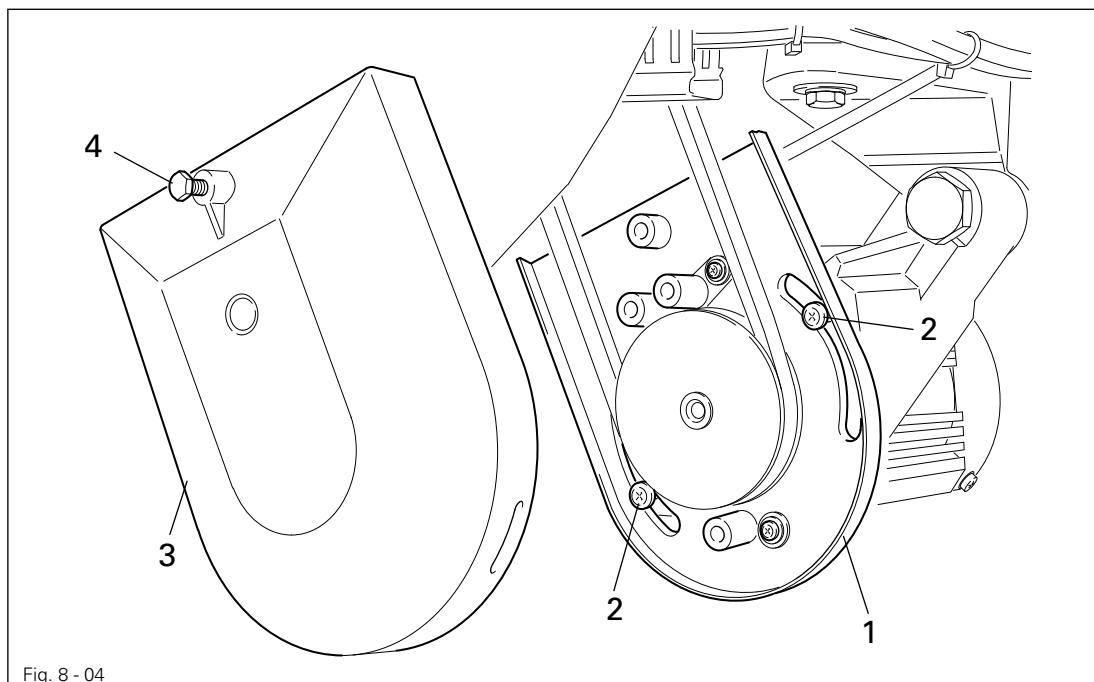


Fig. 8 - 04

- Loosen the screws 2 and align the belt guard bracket 1 so that the motor pulley and V-belt run freely.
- Use screw 4 to tighten the screws 2 and the belt guard 3.

8.01.05 Assembling the upper V-belt guard

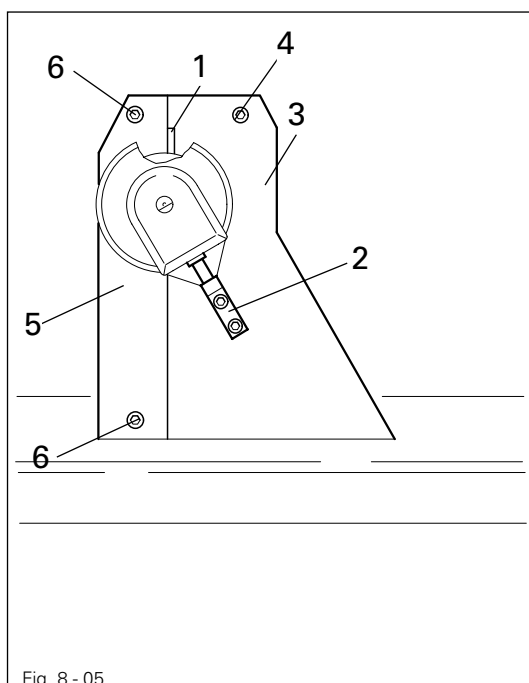
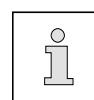


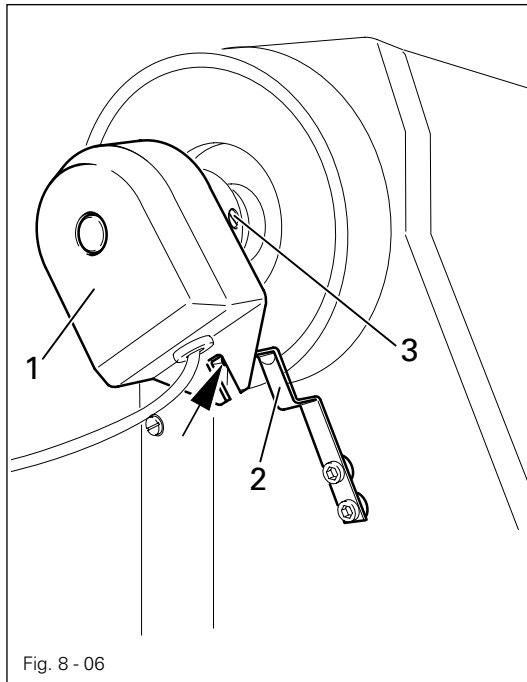
Fig. 8 - 05



The corner 1 of the belt guard part 3 should be broken off when using a large hand wheel.

- Screw the position finger 2 to the belt guard part 3
- Use the screws 4 to screw on the belt guard part 3
- Use the screws 6 to screw on the belt guard part 5

8.01.06 Mounting the synchroniser



- Slide the synchroniser 1 onto the shaft so that the position finger 2 is positioned in the synchroniser groove (see arrow)
- Tighten the screws 3.
- Insert the synchroniser plug on the control box (see Chapter 8.02 Connecting the plug-in connections and ground cable).
- Adjust the synchroniser, this must be learned with parameter t0819 in machines with gear reduction. The needle reference position t0810 must be reset after an update. An adjustment of the treadle t0820 must also be carried out, see Chapter 4.4 Positions of the drive service manual.

8.02 Connecting the plug-in connections and ground cable

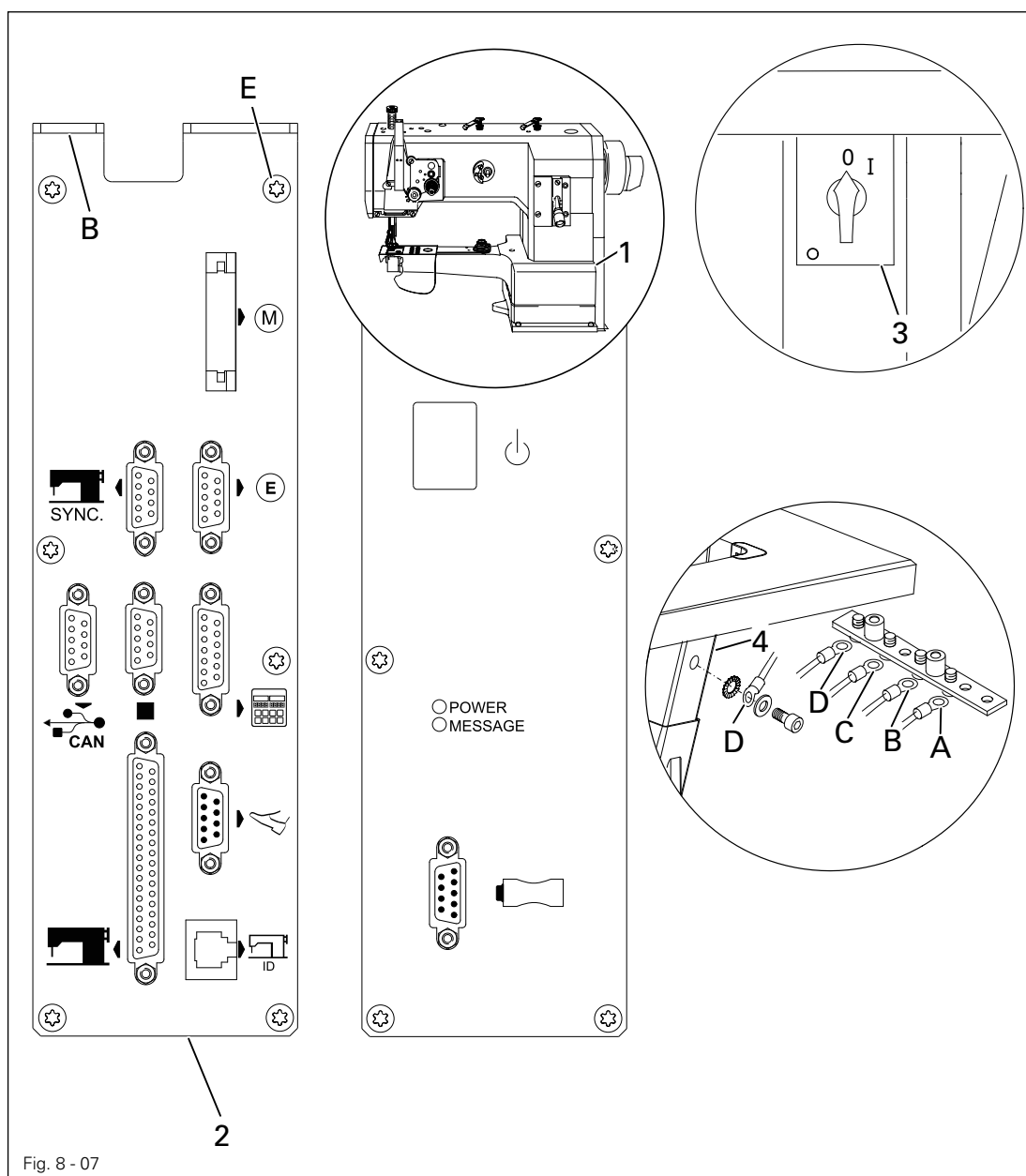
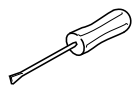


Fig. 8 - 07



- Insert all plugs on the control box 2 in accordance with their designation.
- Insert the "motor" to the bushing E and the bushing M.

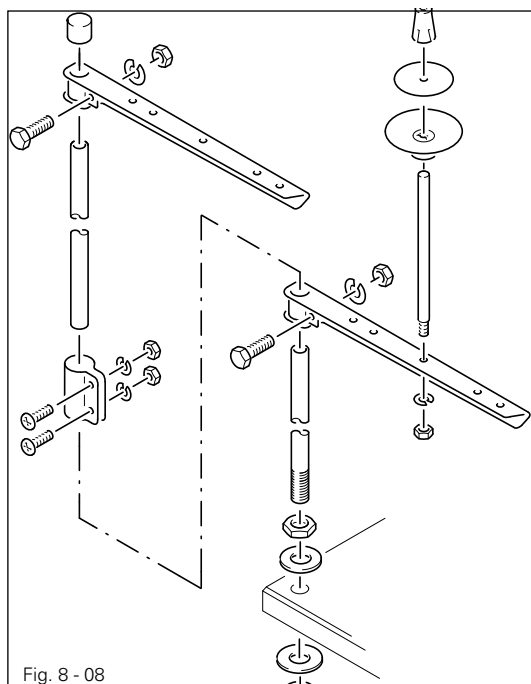


Caution

Inserting the plug incorrectly can damage the control unit!

- Attach the following ground cables in order to discharge static electricity.
- Securely attach the ground cable from the sewing head 1 to ground point A.
- Securely attach the ground cable from control point B to ground point B.
- Securely attach the ground cable from the main switch 3 to ground point C.
- Securely attach the ground cable from the stand 4 to ground point D
- Securely attach the ground cable from the motor cable M to ground point E

8.03 Assembling the reel stand



- Assemble the reel stand as shown in the adjacent illustration.
- Then insert the stand into the hole in the table top and secure it with the enclosed nuts.

8.04 Initial start-up

- Inspect the machine, particularly the electric cables, for any damage.
- Clean the machine thoroughly and then oil it, see also Chapter 10 Maintenance and Care.
- Connect the machine to the compressed air system. The manometer must show a pressure of 6 bar. Set this value if required (see Chapter 10.08 Checking / setting the air pressure).
- Arrange for technical staff to check whether the machine's motor may be operated at the existing mains voltage and whether it is connected properly.



Never operate the machine if there are any differences.



The machine must only be connected to a grounded socket!



Arrange for the home position of the machine drive to be verified by certified technicians before the initial start-up! Arrange for settings to be carried out by technicians where required (see Chapter 4.4 of the drive service manual).

8.05 Switching the machine on / off

- Switch the machine on (see Chapter 7.01 Main switch).

8.06 Machine drive home position

- See Chapter 4.4 of the drive service manual

10 Maintenance and Care

10.01 Maintenance intervals

Cleaning	daily, several times if in continuous operation
Clean the hook area	daily, several times if in continuous operation
General oiling	twice a week
Oil the hook	daily, before start-up
Oil the front parts	twice a week
Checking / setting the air pressure	daily, before start-up
Cleaning the maintenance unit air filter	as needed
Lubricate the top feed driving eccentric	once as year
Lubricate the bevel gears.....	once as year



These maintenance intervals are based on an average running time of a single shift production shop. Shorter maintenance intervals are recommended for increased running times.

10.02 Cleaning the machine

The required cleaning cycle for the machine depends on the following factors:

- Single or multi-shift operation
- Dust formation caused by the workpieces

Optimal cleaning instructions can therefore only be determined on a case-by-case basis.



Disconnect the machine from the electricity mains for all cleaning work by shutting off the main switch or removing the mains plug! Risk of injury due to accidental machine start-up!

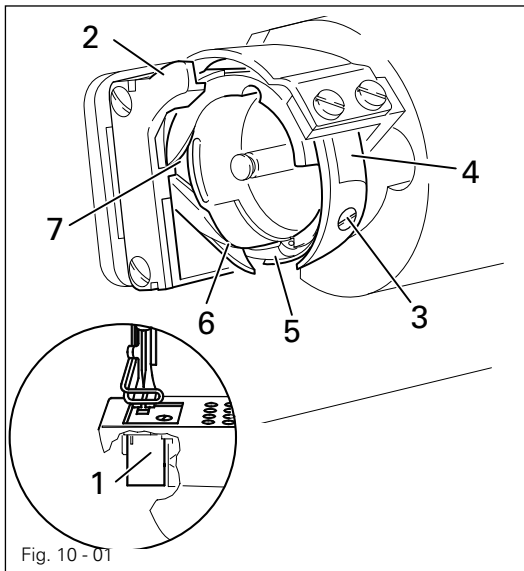


Fig. 10 - 01

The following tasks are recommended during single shift operation to avoid operational errors:

Clean the hook area

- Clean the hook area with a brush

Clean the hook

- Pull off the free arm cover 1.
- Bring the needle bar to the top position.
- Remove the bobbin case sewing head with bobbin.
- Unscrew the bobbin case position stop 2.
- Unscrew the screw 3 and remove the hook gib 4.

- Turn the hand wheel until the tip 5 is at the same level as the tip 6.
- Remove the bobbin case and clean the hook race with kerosene.
- When assembling it, take care that the lug on the back of the case position finger 2 engages in the groove 7.
- Screw on the hook gib 4.
- Insert the bobbin case with bobbin.
- Fit the free arm cover 1.



Always operate the machine with the free arm cover 1! Risk of injury from the rotating hook!

10.03 General oiling

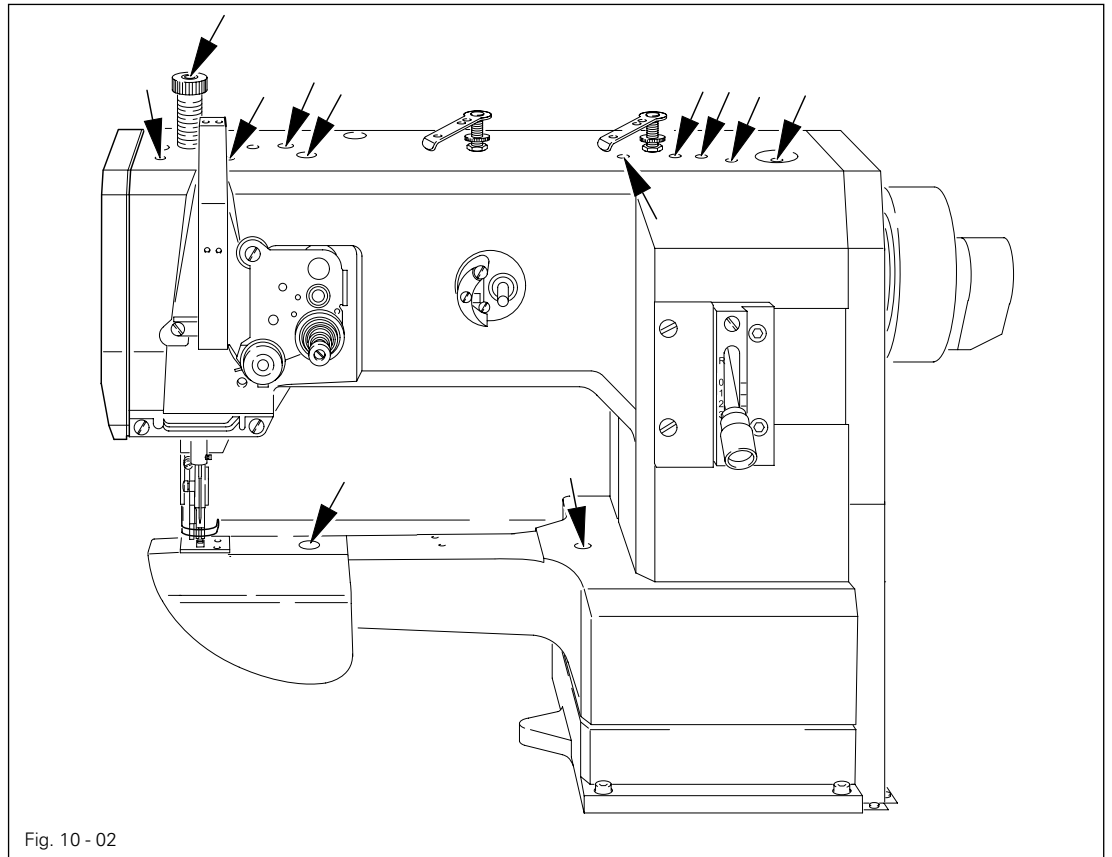


Fig. 10 - 02



Switch off the machine!
Risk of injury due to accidental machine start-up!

- Oil all points marked with arrows twice a week.

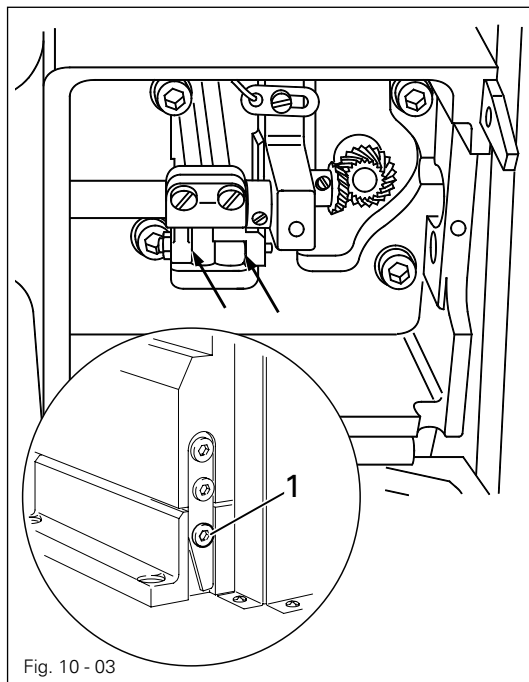


Fig. 10 - 03

- Unscrew the screw 1 and tilt the machine backwards.
- Oil all bearing points below the table top (see arrows) twice a week.

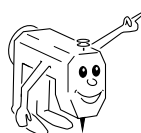
Return the machine to its upright position using both hands!
Risk of injury by crushing between the sewing head and base!



- Tighten the screw 1 again.

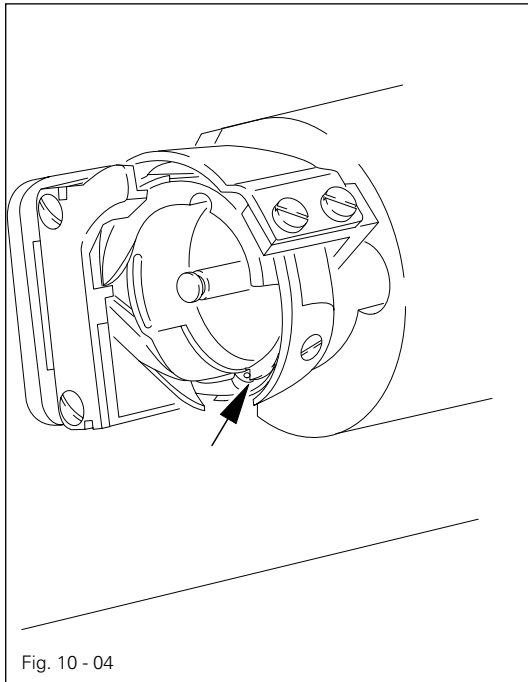


Only use oil with a centre viscosity of 22.0 mm²/s at 40 °C and a density of 0.865 g/cm³ at 15 °C!



We recommend PFAFF sewing machine oil, order no. 280-1-120 144.

10.04 Oiling the hook

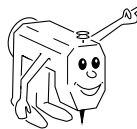


Switch off the machine!
Risk of injury due to accidental machine start-up!

- Remove the bobbin case.
- Add **1 - 2 drops** of oil into the hook race daily (see arrow).
- Reinsert the bobbin case.

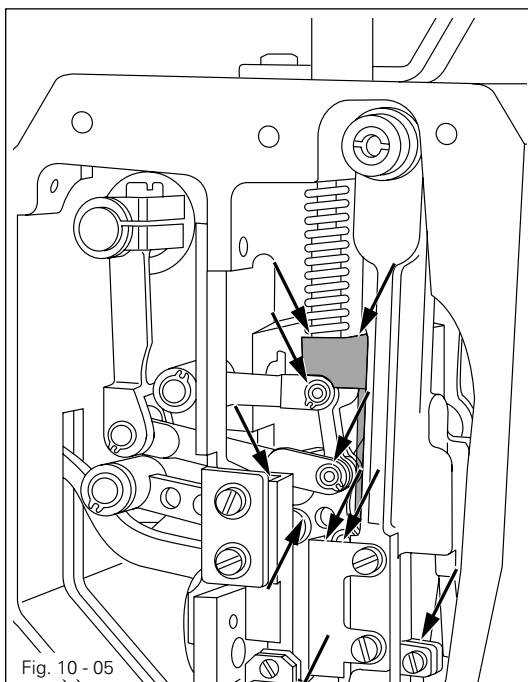


Only use oil with a centre viscosity of **22.0 mm²/s** at 40 °C and a density of **0.865 g/cm³** at 15 °C!



We recommend PFAFF sewing machine oil, order no. **280-1-120 144**.

10.05 Oiling the front parts

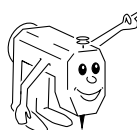


Switch off the machine!
Risk of injury due to accidental machine start-up!

- Unscrew the face cover.
- Oil all sliding and bearing points (see arrows) twice a week.
- Screw the face cover back on.



Only use oil with a centre viscosity of **22.0 mm²/s** at 40 °C and a density of **0.865 g/cm³** at 15 °C!



We recommend PFAFF sewing machine oil, order no. **280-1-120 144**.

10.06 Lubricating the bevel gears

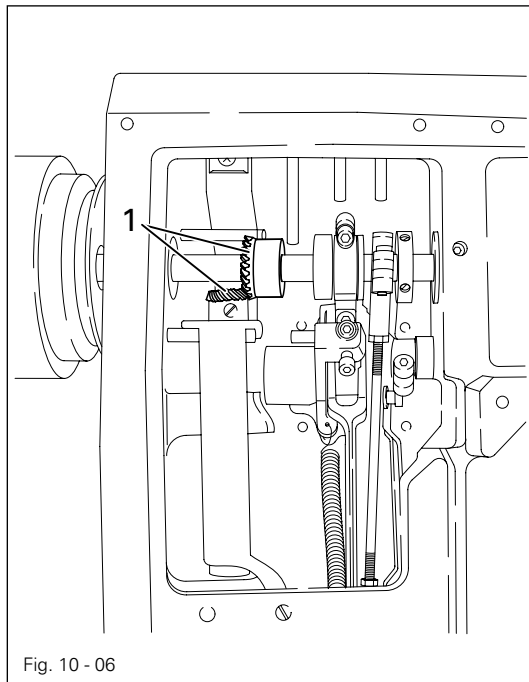


Fig. 10 - 06

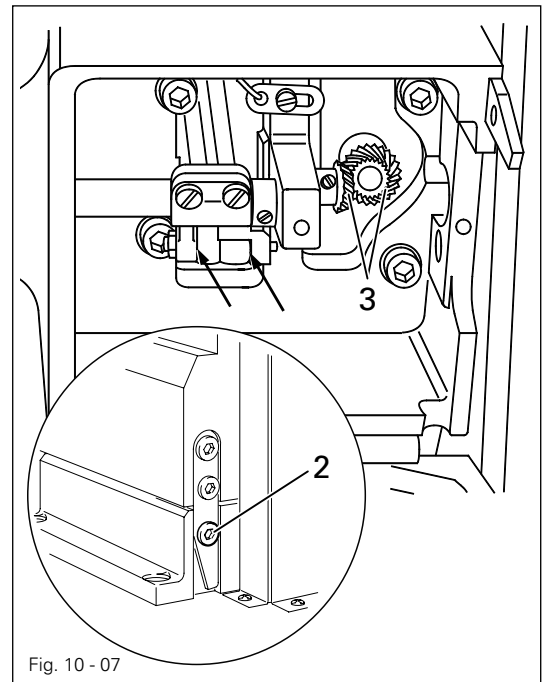


Fig. 10 - 07



Switch off the machine!
Risk of injury due to accidental machine start-up!



Fresh grease should be applied to all bevel gears once a year.

Upper bevel gears

- Unscrew the cover on the back of the machine.
- Apply fresh grease to the upper bevel gears 1.
- Screw on the cover on the back of the machine again.

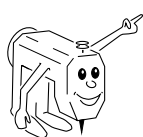
Lower bevel gears

- Unscrew the screw 2 and tilt the machine backwards.
- Apply fresh grease to the lower bevel gears 3.



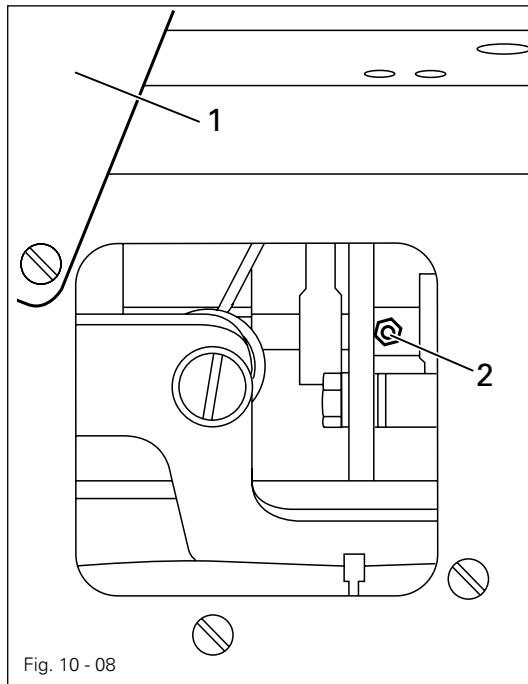
Return the machine to its upright position using both hands!
Risk of injury by crushing between the sewing head and base!

- Tighten the screw 2 again.



We recommend PFAFF sodium soap grease with a dripping point of approx. 150°C.
Order no.: 280-1-120 243.

10.07 Lubricating the top feed driving eccentric

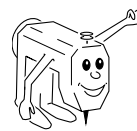


Switch off the machine!
Risk of injury due to accidental machine start-up!

- Open the cover 1 on the back of the machine.
- Apply a little grease to the nipple 2 at least once a year (use a grease gun).
- Then screw on the cover 1 again.

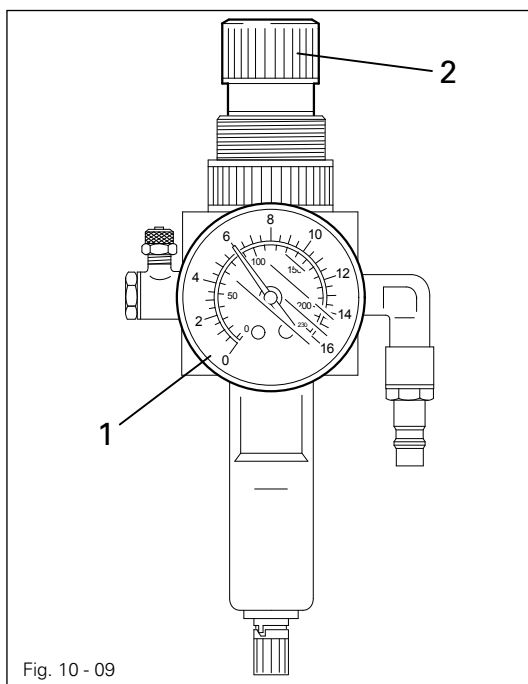


Only use lithium grease with a dripping point of **185 °C** and a walk penetration of **22 - 25 mm** at **25 °C**.



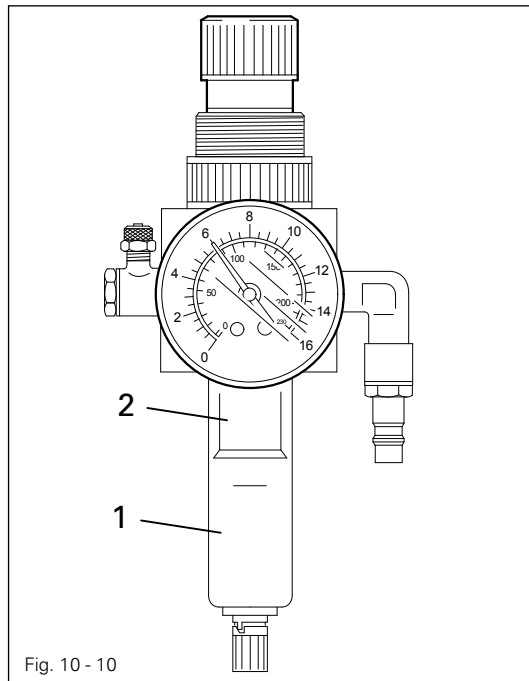
We recommend Pfaff sewing machine oil
Order no. **280-1-120 247**.

10.08 Checking / setting the air pressure



- Check the air pressure on the manometer 1 before every start-up.
- The manometer 1 must show a pressure of **6 bar**.
- Adjust this value if needed.
- To do this, pull up the button 2 and turn it so that the manometer 1 shows a pressure of **6 bar**.

10.09 Cleaning the maintenance unit air filter



Switch off the machine!
Detach the compressed air tube on the maintenance unit

Empty the water tank:

- The water tank 1 empties itself automatically after the compressed air tube for the maintenance unit has been removed.

Clean filter:

- Unscrew the water tank 1 and take out the filter 2.
- Clean the filter 2 with compressed air or isopropyl alcohol (order no. 95-665 735-91).
- Screw in the filter 2 and screw on the water tank 1.

10.10 Parameter settings



Parameter settings are described in the separate **parameter list** for the drive and may only be changed by qualified technicians.

9

Set-up



Observe and comply with all regulations and instructions in this instruction manual.

Pay particular attention to all safety regulations!



All set-up work may only be carried out by appropriately instructed personnel. Disconnect the machine from the electricity mains for all set-up work by operating the main switch or by removing the mains plug!

9.01

Inserting the needle

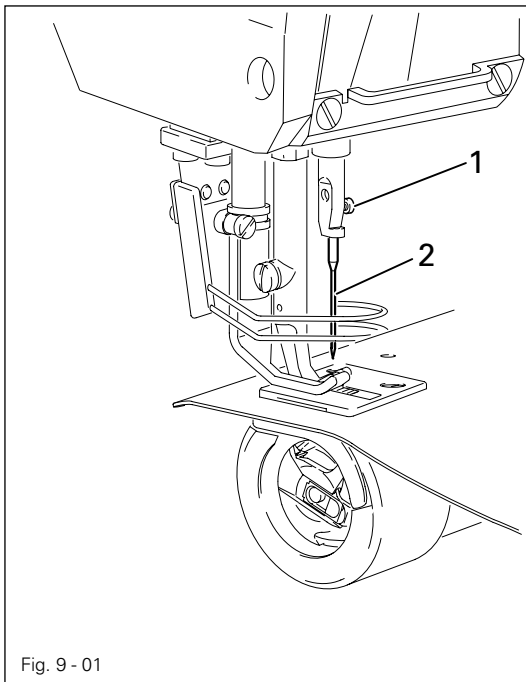


Fig. 9 - 01



Switch off the machine!
Risk of injury due to accidental machine start-up!



Only use needles of the system intended for the machine, see **Chapter 3 Technical Data!**

- Bring the needle bar to the top position.
- Loosen the screw 1 and insert the needle 2 until you feel it stop. The long groove must point to the left.
- Tighten the screw 1

9.02

Winding the bobbin thread, adjusting the thread tension

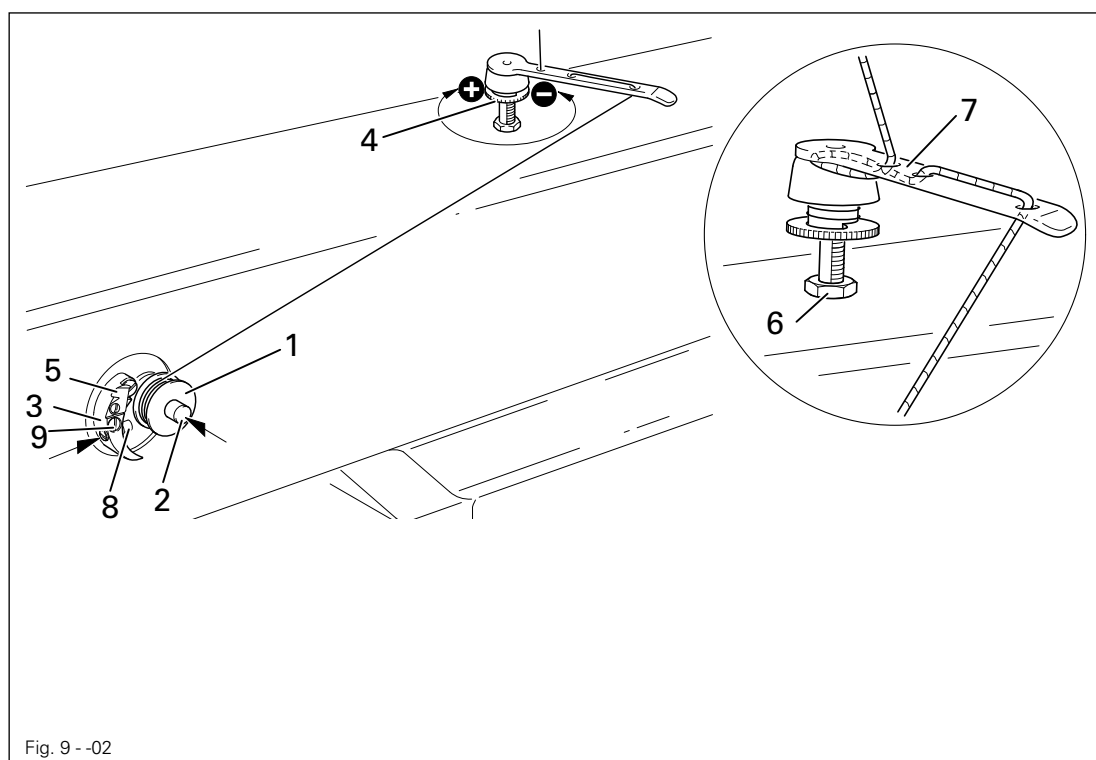


Fig. 9 --02

- Fit the empty bobbin 1 onto the bobbin winder spindle 2 with the rest thread chamber on the outside.
- Thread in the thread as shown in Fig. 9 - 02 and wind it round the bobbin 1 a few times in an anti-clockwise direction.
- Switch on the bobbin winder by pressing the bobbin winder spindle 2 and the lever 3 simultaneously.



The bobbin fills up during sewing.



If the machine is only run for bobbin winding (without sewing), a bobbin case must be fitted in the hook.

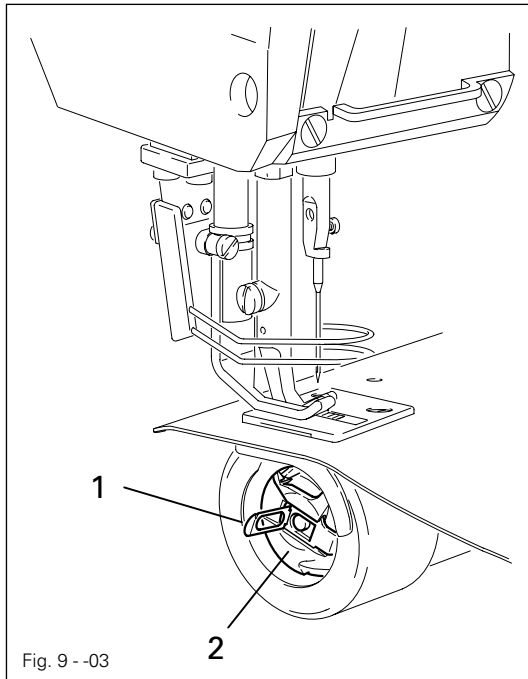
Otherwise a jammed thread may damage the hook!

- The tension of the thread on the bobbin 1 can be adjusted with the knurled thumb screw 4.
- The bobbin winder stops automatically when the bobbin 1 is sufficiently full.
- Remove the filled bobbin 1 and cut the thread with the knife 5.
- The fill amount of the bobbin 1 can be adjusted with the pin 8 (loosen the screw 9 and tighten it again)

If the thread is wound unevenly:

- Loosen the nut 6.
- Turn the thread guide 7 accordingly.
- Tighten the nut 6.

9.03 Removing / inserting the bobbin case



Switch off the machine!
Risk of injury due to accidental
machine start-up!

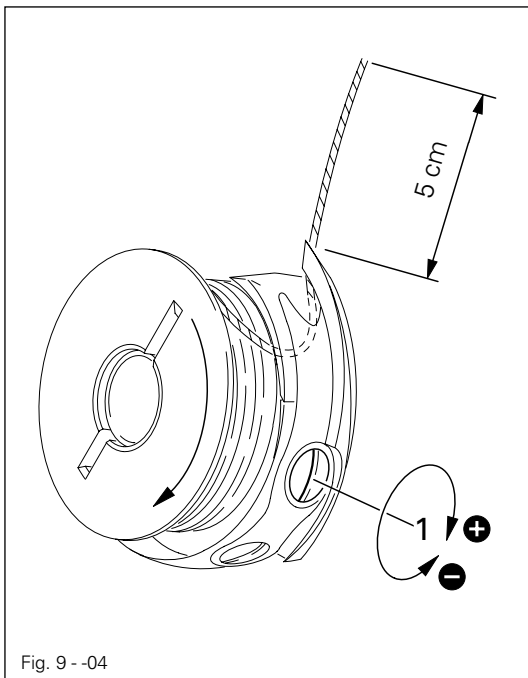
Removing the bobbin case:

- Raise the lever 1 and remove the bobbin case 2.

Inserting the bobbin case:

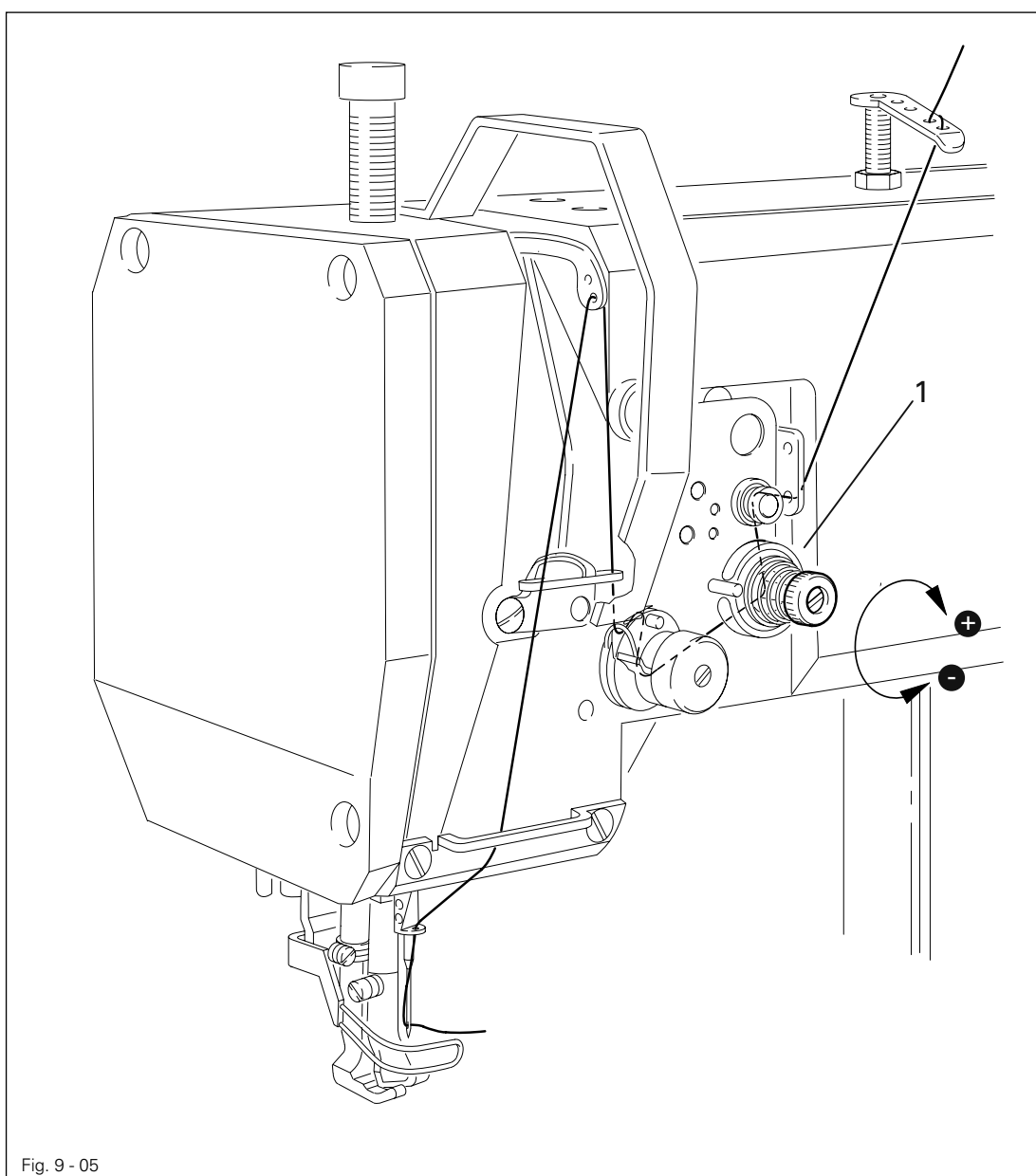
- Press the bobbin case 2 until you feel it snap into the bobbin case base.

9.04 Inserting the bobbin case / adjusting the bobbin thread tension



- Insert the bobbin as shown in Fig. 9-04.
- When the thread is drawn off, the bobbin must turn in the direction shown by the arrows.
- Adjust the thread tension on the screw 1.

9.05 Threading the needle thread / adjusting the needle thread tension



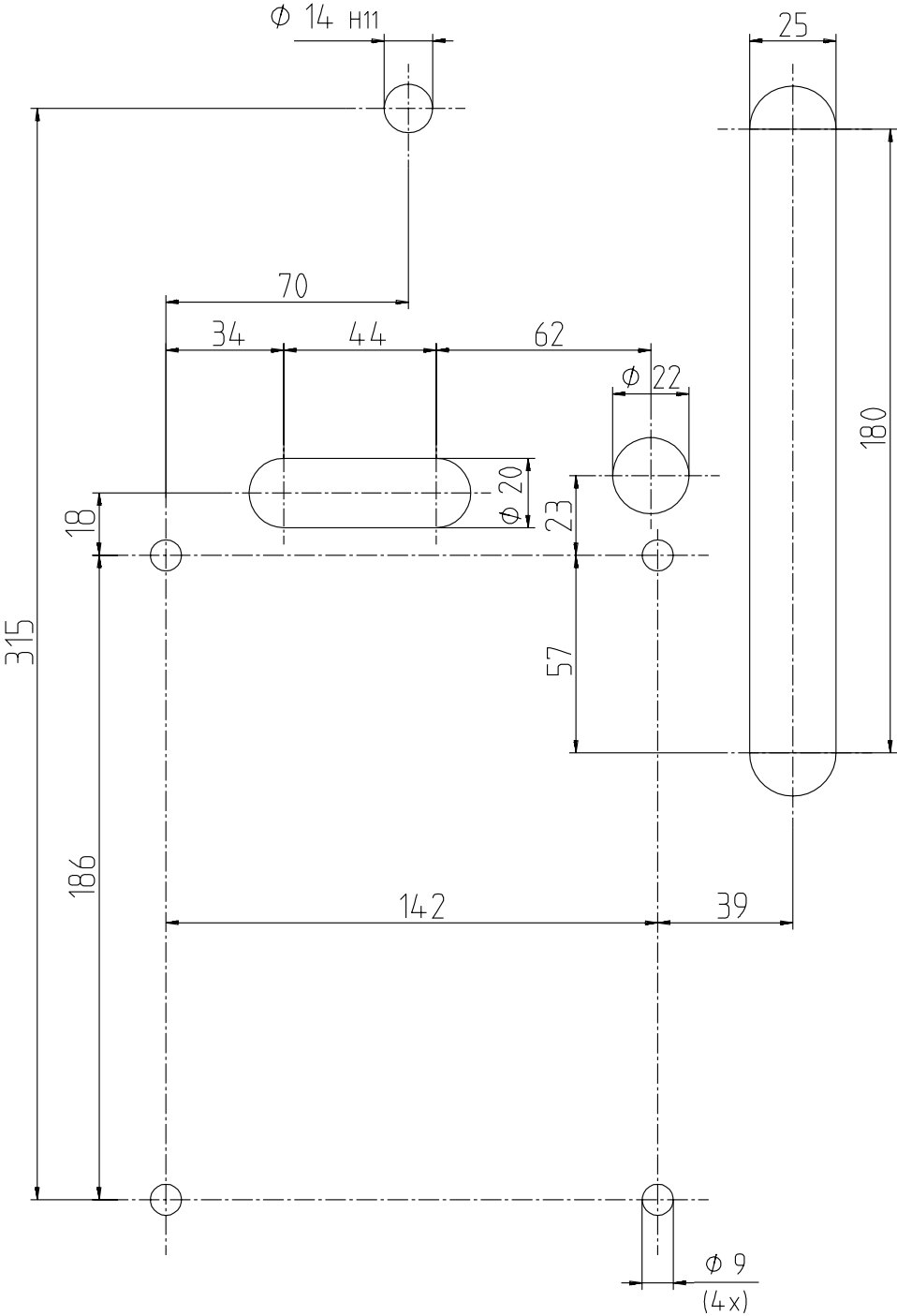
Switch off the machine!
Risk of injury due to accidental machine start-up!

- Thread the needle thread as shown in Fig. 9-05. Please ensure that the needle is threaded from the left.
- Adjust the needle thread tension by turning the knurled thumb screw 1.

9.06 Setting the bobbin stitch counter

For the description please refer to the separate instruction manual for the drive, see Chapter 5.3.1 Setting the bobbin stitch counter.

- 11 Table Top
- 11.01 Table top cutout

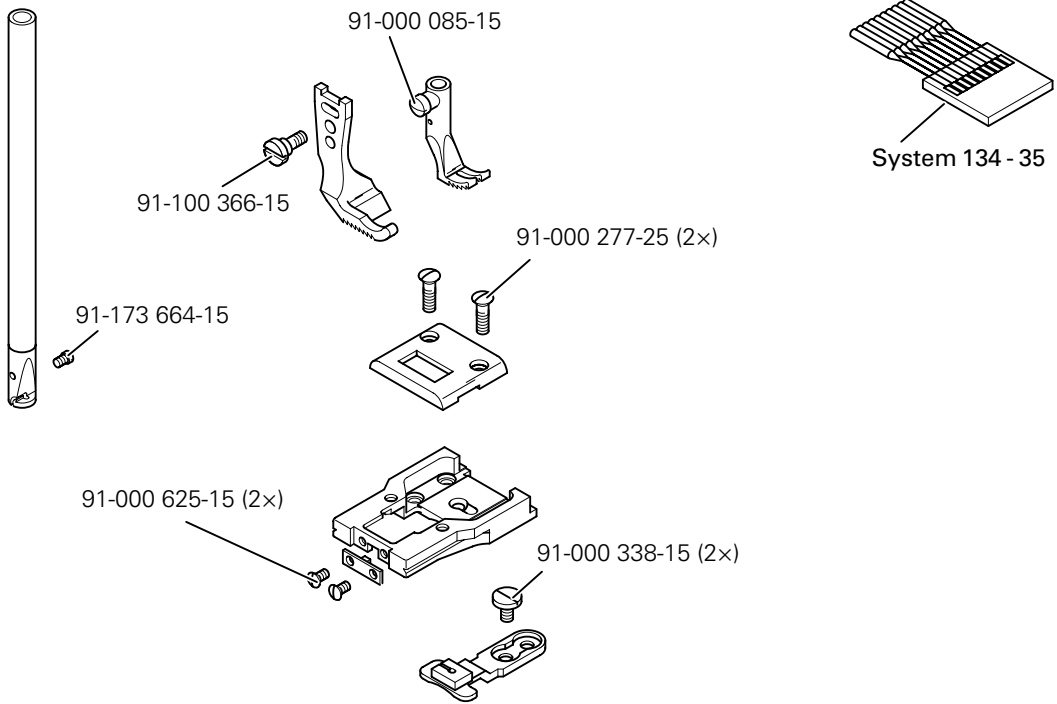


This list shows the most important wearing parts.

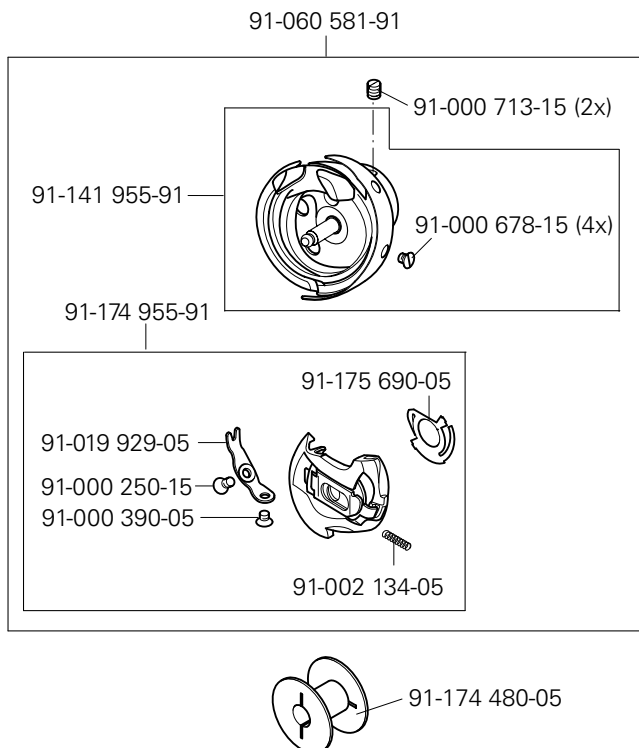


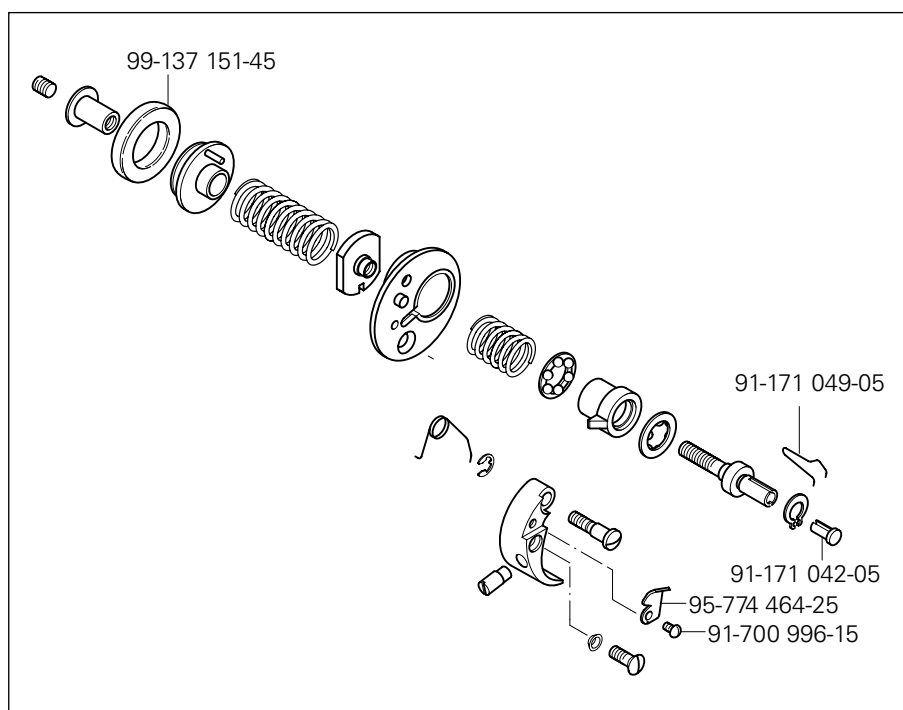
A detailed parts list for the complete machine can be downloaded at www.pfaff-industrial.de/de/service-support/downloads/technical.

As an alternative to the Internet download, the parts list can also be requested as a hard copy under order no. **296-12-19 306**.

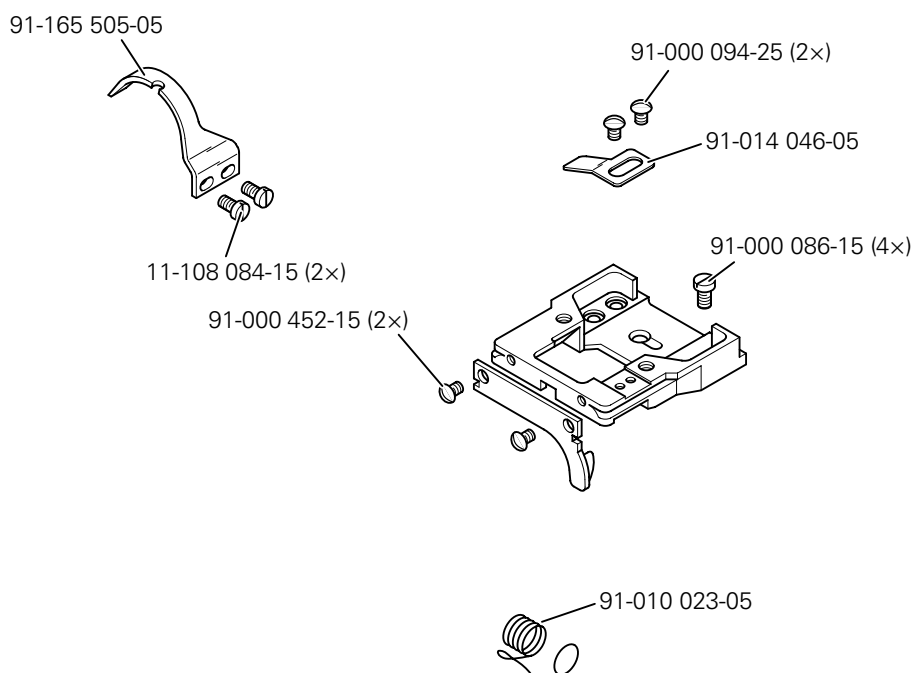


PFAFF 335-G





PFAFF 335-900/52





Europäische Union
Wachstum durch Innovation – EFRE

PFAFF Industriesysteme und Maschinen GmbH

Hans-Geiger-Str. 12 - IG Nord
D-67661 Kaiserslautern

Tel.: +49-6301 3205 - 0

Fax: +49-6301 3205 - 1386

E-mail: info@pfaff-industrial.com